

50x50x15 mm/2x0.6 inch, 14~11 CFM

TD5015 General specification



- Motor: Brushless DC, impedance protected, auto cutoff auto restart optional only
- Motor Protection:
- Frame: Glass fiber reinforced PBT thermoplastic, UL94V-0
- Impeller: Glass fiber reinforced PBT thermoplastic, UL94V-0 impeller
- Bearing: Double sealed high precision ball bearing
- Rotation: CCW looking at rotor, air inlet side of housing
- Operating Temp: Ball bearings -20C~+65C
- Storage Temp:
- Life Expectancy: Ball bearings 55,000 hours at 45C, 40,000 hours at 60C
- Dielectric Strength: 500 VAC/sec. Max leakage 500 micro amp
- Connection: Wire or Terminal
- Weight: 27 g (0.06 Lbs)

Model	Rated Voltage VDC	Voltage Range VDC	Input Power W	Rated Current A	Ref. Speed RPM	Max Airflow CFM	M3/Min	Max Pressure Inch/H2O	mm	Noise dB
TD5015-H-5	5	4~7	0.7	0.13	5500	14	0.40	0.20	5.08	32
TD5015-M-5	5	4~7	0.5	0.10	4800	12	0.34	0.18	4.57	28
TD5015-L-5	5	4~7	0.4	0.08	4200	11	0.31	0.16	4.06	25
TD5015-H-12	12	8~13.8	1.1	0.09	5500	14	0.40	0.20	5.08	32
TD5015-M-12	12	8~13.8	0.9	0.07	5000	12	0.34	0.18	4.57	28
TD5015-L-12	12	8~14	0.8	0.06	4300	11	0.31	0.16	4.06	25
TD5015-H-24	24	12~27.6	1.5	0.06	5500	14	0.40	0.20	5.08	32
TD5015-M-24	24	12~27.6	1.2	0.05	5000	12	0.34	0.18	4.57	28
TD5015-L-24	24	12~28	1	0.04	4500	11	0.31	0.16	4.06	25
TD5015-H-48	48	24~55	1.9	0.04	5500	14	0.40	0.2	5.08	32

Related Product Information

Please see our related items below for suggested products to use with this item:

- Metal Fan Guard: TWG-50

Related Technical Information

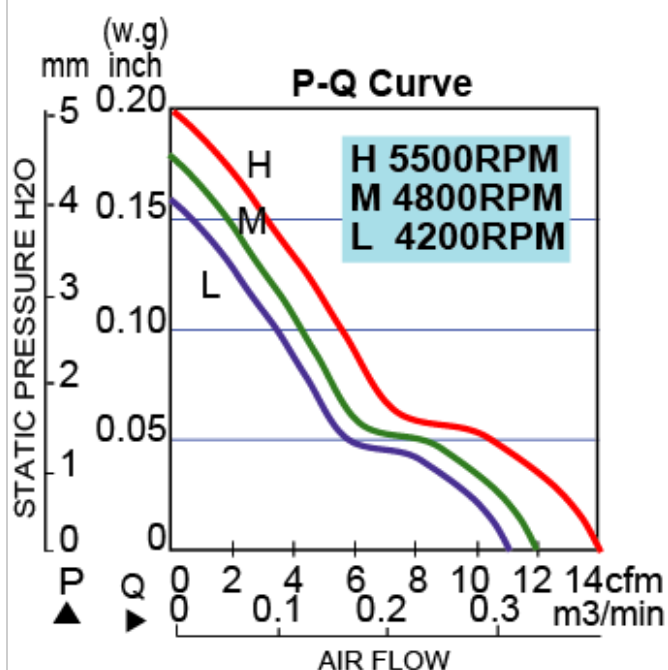
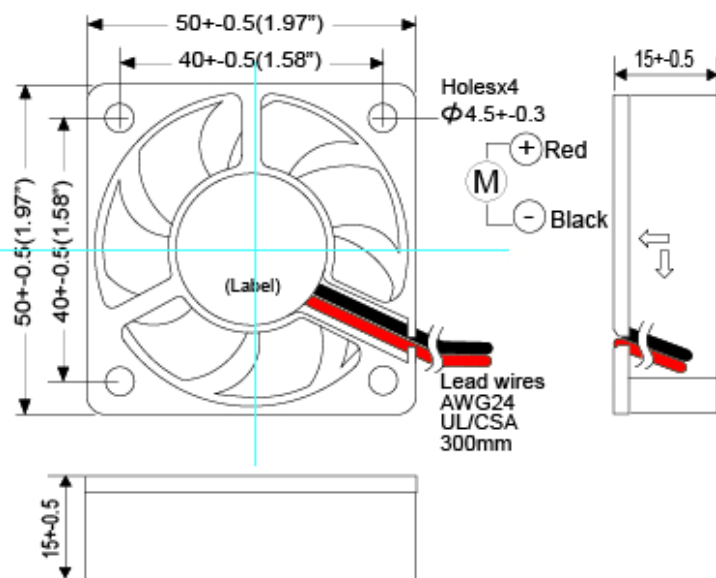
-Optional Function Leads:

- *Alarm, motor stop, cutoff sensor signals (L, run-Low, stop-High for alarm function, color yellow lead)
- *Tach speed sensor output, open collector, 2 square waves per revolution, or TTL 4.4~5 VDC optional (T, white lead)

*Speed control:

- H, NTC thermistor thermal control 1800~3400RPM/4.7~10K ohm vs 45~20C(H,orange lead)
- P, Pulse Width Modulation, microprocessor programmable CPU speed control, 10~100%, full stop & 10 speed stages; 800~3800RPM (P, purple lead)
- V, Control voltage speed setting, Analog 0~10V vs speed RPM speed control via separate DC low voltage interface (V, gray lead)

Fan Performance Curves and Dimension



* TEI reserves the right to change data and specs without notice* Tests are at nominal rated voltage against zero static pressure*Specifications subject to change without notice, data tolerance +-10%